



# SG600/BT

**General Purpose Gun-type Linear Imager Bar Code Scanner Support major**

**CHAMPTEK**<sup>®</sup>  
We value your ID's

## Introduction

SG600/SG600BT is a brand new general purpose gun type linear imager bar code scanner which is designed especially for retail market. We include friendly functions and with replaceable multi-interface cable options that makes it more easily to be operated by the customers to accommodate it to user's environment and a stand option can be ordered to facilitate hand-free reading option.

SG600BT supports Class1 Bluetooth V2.0 EDR technology with transmission range up to 100m/328.08 ft. in line of open sight, supports both SPP and HID profiles can easily pair up with other Bluetooth V2.1 compatible mobile equipments or systems.

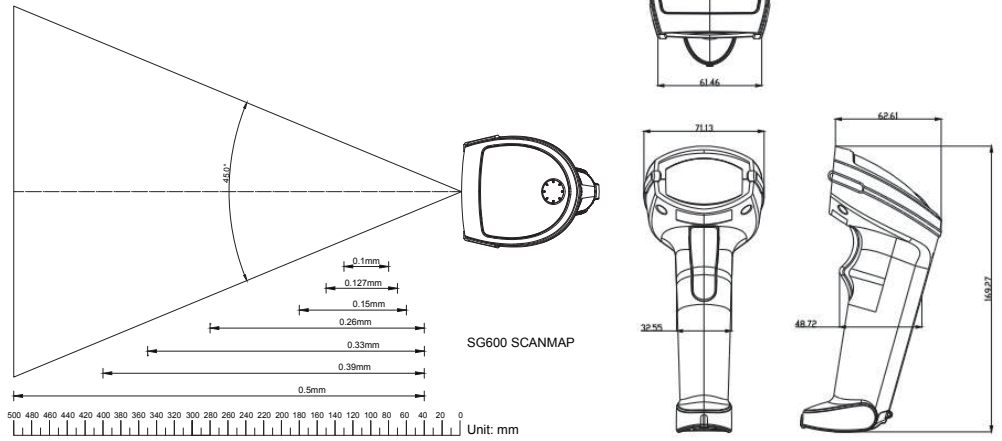
With its auto-shuttle-emulation alike smart detection, offers superior decoding performance on a reading speed up to 500 scans per second and up to 500mm reading depth for the majority of 1D bar codes and GS1 DataBar™ codes.

In short, SG600/SG600BT is a high performance scanner which provides customers with the most cost-effective solution in the market. It is perfectly suitable and definitely the best choice for any retail and logistic environment.

## Features

- Support major 1D codes, GS1 Databar linear and stacked Codes.
- Automatic detect reading mode.
- Reading distance up to 50cm (20mil/0.5mm@code39 pcs90%).
- Smart detection, reading speed up to 500 scans per second.
- 3 in 1 Combo interface that changes interface by replacing cable.
- Supports IP42 sealing protection.
- Equipped with Bluetooth V2.1 Class 1 technology, range up to 100m in open space.
- Supports both SPP and HID profiles can easily pair up with other Bluetooth V2.1 compatible mobile equipments or systems.
- Support Batch transmission mode, memory capacity stores up to 30,000 inputs of EAN13 barcodes.

# SG600/BT



## Specifications

### Physical Characteristics

#### SG600

Body weight	Approx. 110g / 3.88oz
Material	ABS / Rubber
Cable Length	5FT. (150cm)
Connector	RJ 45C 10Pins
Dimension (WxHxL)	71.13 x 62.61 x 169.27 mm

#### SG600 Stand (Option)

Dimension (WxHxL)	160.0 x 100 x 204.4 mm
-------------------	------------------------

#### SG600BT

Scanner weight	Approx. 175g / 6.17oz( incl. Battery)
Dimension (WxHxL)	71.13 x 62.61 x 169.27 mm
Cradle weight	Approx. 150g
Dimension (WxHxL)	112.18 x 84.64 x 130.6 mm

### Performance

Light Source	Visible Red light 635nm LED
Sensor	Linear CCD Sensor
Processor Type	ARM Cortex™ - M3, 32-bit
Operating Freq.	8 MHz
Scan Speed	Smart detection, up to 500 scans per second
Depth of Field	Up to 500mm@20mil/0.5mm, PCS90%
Print Contrast Ratio	PCS30%
Minimum Resolution	4mil/0.1mm@PCS90%
Reading Angle	<b>Test Conditions :</b> Code 39, 10mil/0.25mm, PCS 90%
	<b>Pitch :</b> ±10°~65°(±5°)
	<b>Skew :</b> ± 60°(±5°)
Ambient Light	100,000 Lux Max.

### Environmental

Operating Temperature	0°C to 50°C (32°F to 122°F)
Storage Temperature	-20°C to 70°C (-4°F to 158°F)
Relative Humidity	20% to 95% (Non-condensing)
Sealing	Designed to IP42 water and dust protection

### Electrical Characteristics

#### SG600 Scanner

Voltage	DC 5V
Power Consumption Operation	150mA, stand-by: 50mA

#### SG600BT Scanner

Voltage Battery	Li-Ion 3.7V/2600 mAh
Charge Time	Approx. 5 hours
Reads per Charge	50,000 Times
Power Consumption Operation	200mA, stand-by: 50mA

#### SG600BT Cradle

Voltage	DC 5V
Operation Consumption	70mA

### Radio Characteristics

Bluetooth Module	Bluetooth V2.1 EDR
Frequency Band	2.402GHz ~ 2.480GHz
Transmission Range	Up to 100M(328.08FT.) line of sight
RF Output Power	Class 1 (under 20dBm)

### Reliability

MTBF(Calculated) <b>SG600</b>	50,000 hours minimum
<b>SG600BT</b>	40,000 hours minimum
Cable Bending Test	30 times/min @ 500g/90°
Drop	59.05 inches.(150cm) drop on concrete surface

### Readable Symbologies

All UPC/EAN/JAN, EAN128 Code, Code 39, Code 39 Full ASCII Code32 / Italian Pharmacy, Code 128, CODABAR/NW7 Interleave 25, Industrial 25, Matrix 25, MSI/PLESSEY, Telepen Code 93, Code 11, China Postage, Code 26, LCD25, GS1 DataBar

Due to Champtek's / Scantech ID's continuing product improvement programs, specifications and features are subject to change without notice.