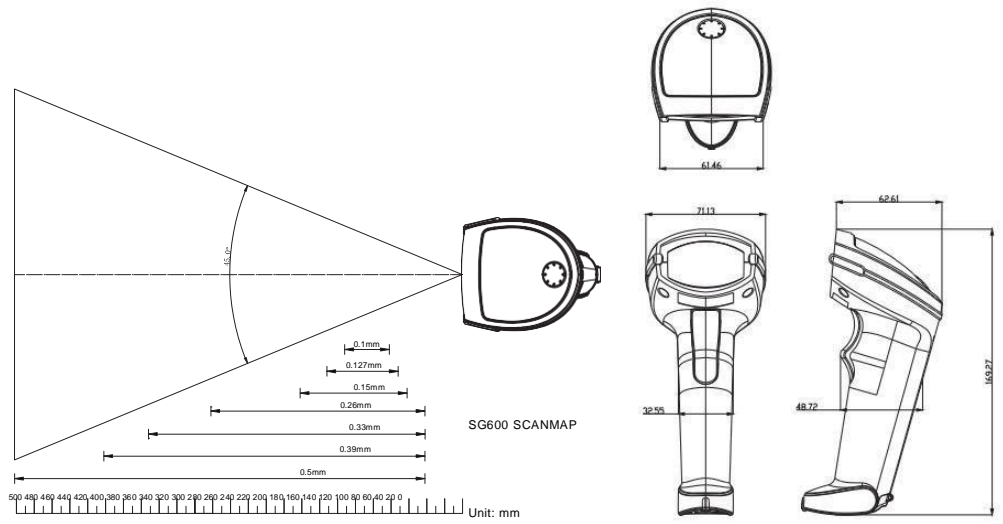


# SG600/BT



## Specifications

### Physical Characteristics

Body weight	Approx. 110g / 3.88oz
Material	ABS / Rubber
Cable Length	5FT. ( 150cm)
Connector	RJ 45C 10Pins
Dimension (WxHxL)	71.13 x 62.61 x 169.27 mm

### SG600 Stand (Option)

Dimension (WxHxL)	160.0 x 100 x 204.4 mm
-------------------	------------------------

Scanner weight	Approx. 175g / 6.17oz( incl. Battery)
Dimension (WxHxL)	71.13 x 62.61 x 169.27 mm
Cradle weight	Approx. 150g
Dimension (WxHxL)	112.18 x 84.64 x 130.6 mm

### Performance

Light Source	Visible Red light 635nm LED
Sensor	Linear CCD Sensor
Processor Type	ARM Cortex™ - M3, 32-bit
Operating Freq.	8 MHz
Scan Speed	Smart detection, up to 500 scans per second
Depth of Field	Up to 500mm@20mil/0.5mm, PCS90%
Print Contrast Ratio	PCS30%
Minimum Resolution	4mil/0.1mm@PCS90%
Reading Angle	<b>Test Conditions</b> : Code 39, 10mil/0.25mm, PCS 90% <b>Pitch</b> : ±10°~65°(±5°) <b>Skew</b> : ± 60°(±5°)
Ambient Light	100,000 Lux Max.

### Environmental

Operating Temperature	0°C to 50°C (32°F to 122°F)
Storage Temperature	-20°C to 70°C (-4°F to 158°F)
Relative Humidity	20% to 95% (Non-condensing)

### Electrical Characteristics

Voltage	DC 5V
Power Consumption Operation	150mA, stand-by: 50mA

Voltage Battery	Li-Ion 3.7V/2600 mAh
Charge Time	Approx. 5 hours
Reads per Charge	50,000 Times
Power Consumption Operation	200mA, stand-by: 50mA

Voltage	DC 5V
Operation Consumption	70mA

### Radio Characteristics

Bluetooth Module	Bluetooth V2.1 EDR
Frequency Band	2.402GHz ~ 2.480GHz
Transmission Range	Up to 100M(328.08FT.) line of sight
RF Output Power	Class 1 (under 20dBm)

### Reliability

MTBF(Calculated) <b>SG600</b>	50,000 hours minimum
<b>SG600BT</b>	40,000 hours minimum
Cable Bending Test	30 times/min @ 500g/90°
Drop	59.05 inches.(150cm) drop on concrete surface
Sealing	Designed to IP54

### Readable Symbologies

All UPC/EAN/JAN, EAN128 Code, Code 39, Code 39 Full ASCII Code32 / Italian Pharmacy, Code 128, CODABAR/NW7 Interleave 25, Industrial 25, Matrix 25, MSI/PLESSEY, Telepen Code 93, Code 11, China Postage, Code 26, LCD25, GS1 DataBar